



DRS1E

DRS1E80

SLS1E

SLS1E80

NOVA 90 ³/₄ LITE

DIRECT GLAZED

6'8" or 8'0" ³/₄ LITE DOOR

AVAILABLE WIDTHS

2'6" • 2'8" • 2'10" • 3'0"

Our Nova series features direct glazed glass that creates a seamless and elegant design. The large pane glass allows the most amount of light into your home. Our Nova 90 now comes in a ³/₄ lite with one panel on the bottom with a brushed smooth finish. It features a simple, clean, and modern profile that will also be available in a hurricane impact option.

GLASS OPTIONS

- **Standard:** LowE 272, LowE Miniblind, LowE Translucent, LowE Rain
- **HVHZ Impact:** LowE 366, LowE Miniblind, LowE Translucent, LowE Rain

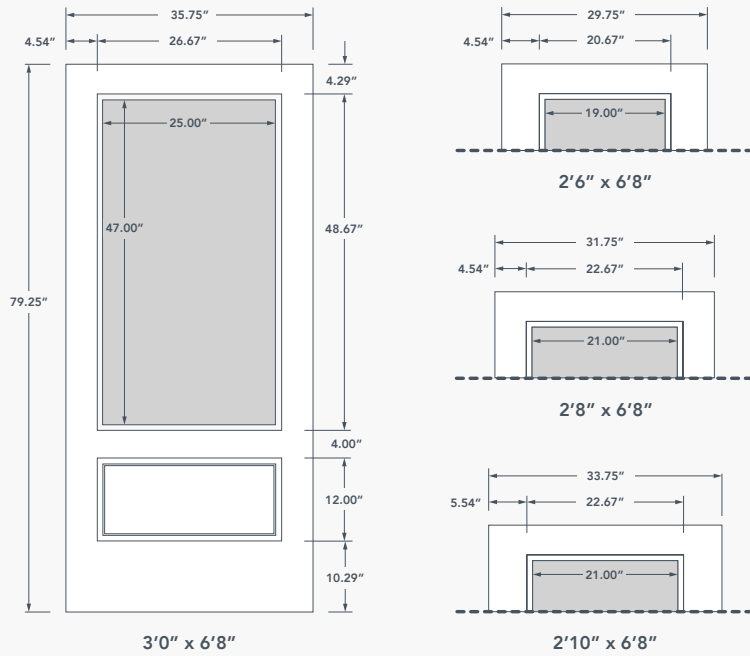


FEATURES & BENEFITS

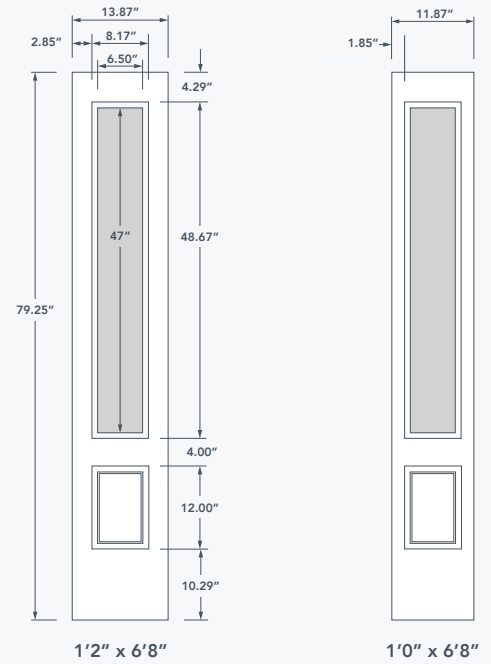
- 1 COMPOSITE STILE CAP
- 2 FULL LENGTH LVL (Hinge & Strike side, for extra rigidity)
- 3 WOOD BLOCKING (For structural support)
- 4 STEEL BEAM (Hinge & Strike side, for extra rigidity)
- 5 INSULATED 1" GLASS
- 6 COMPRESSION MOLDED FIBERGLASS SKIN
- 7 BRUSH FINISHED TEXTURE
- 8 INTEGRALLY MOLDED GLASS STOP
- 9 HIGH DENSITY POLYURETHANE FOAM
- 10 ADA COMPLIANT BOTTOM RAIL
- 11 COMPOSITE BOTTOM RAIL

TO SEE THE FULL FLORIDA BUILDING CODE APPROVAL DOCUMENT, VISIT WWW.FLORIDABUILDING.ORG. THE NOVA 90 FL# IS 28093, 28095 & 29714.

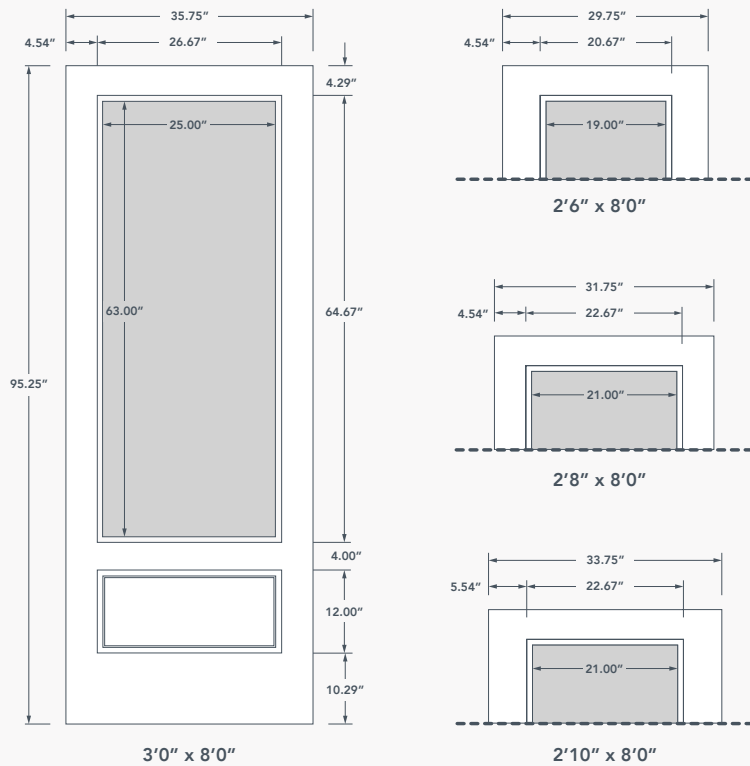
6'8" NOVA SERIES - DRS1E



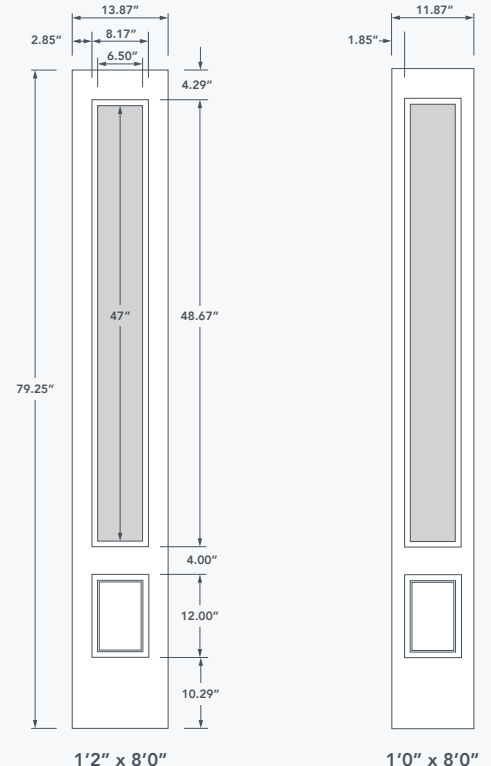
6'8" NOVA SERIES - SLS1E



8'0" NOVA SERIES - DRS1E80



8'0" NOVA SERIES - SLS1E80



NOVA 90 3/4 LITE

DIRECT GLAZED
6'8" or 8'0" 3/4 LITE DOOR

AVAILABLE WIDTHS
2'6" • 2'8" • 2'10" • 3'0"