



UNICARA[®]

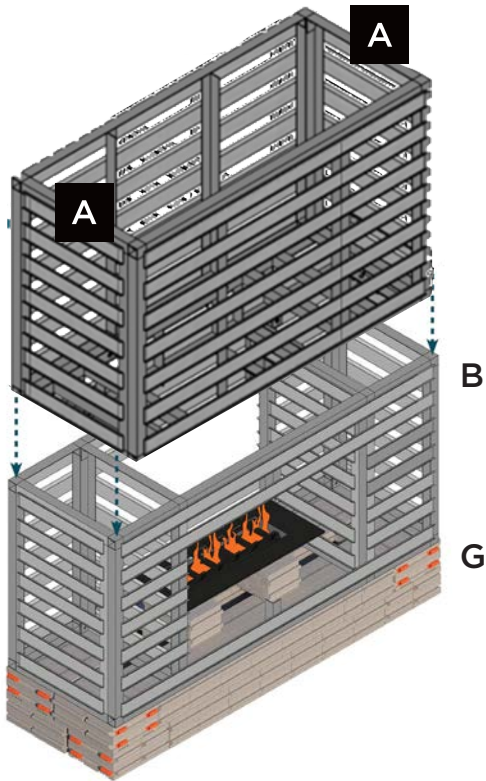
Modular System Woodburning & Gas Fireplaces

1-800-UNILOCK | UNILOCK.COM

UNILOCK[®]
PAVERS & WALLS

DOUBLE STACK TV MOUNT FIREPLACE

STANDARD SEE THROUGH FIREPLACE - GAS



42" TV MOUNT FIREPLACE ORDERING
2 FIREPLACE MODULE UL-FIR
8 STANDARD END CLAD UL-ECK
BASE
2 STANDARD BACKERS
11 CORNER BACKERS
33 LARGE BACKERS
1 FIRE PAN



18 STANDARD PANELS



44 CORNER SETS

A	STANDARD END CLAD*	UL-ECK	23 1/2" W X 42" H 48 LBS (12 LBS. EACH).
B	FIREPLACE MODULE	UL-FIR	83" W X 27 1/2" D X 42" H 115 LBS.
G	BACKER BLOCK	--	88" W X 32 1/2" D ASSEMBLED WITH PANELS

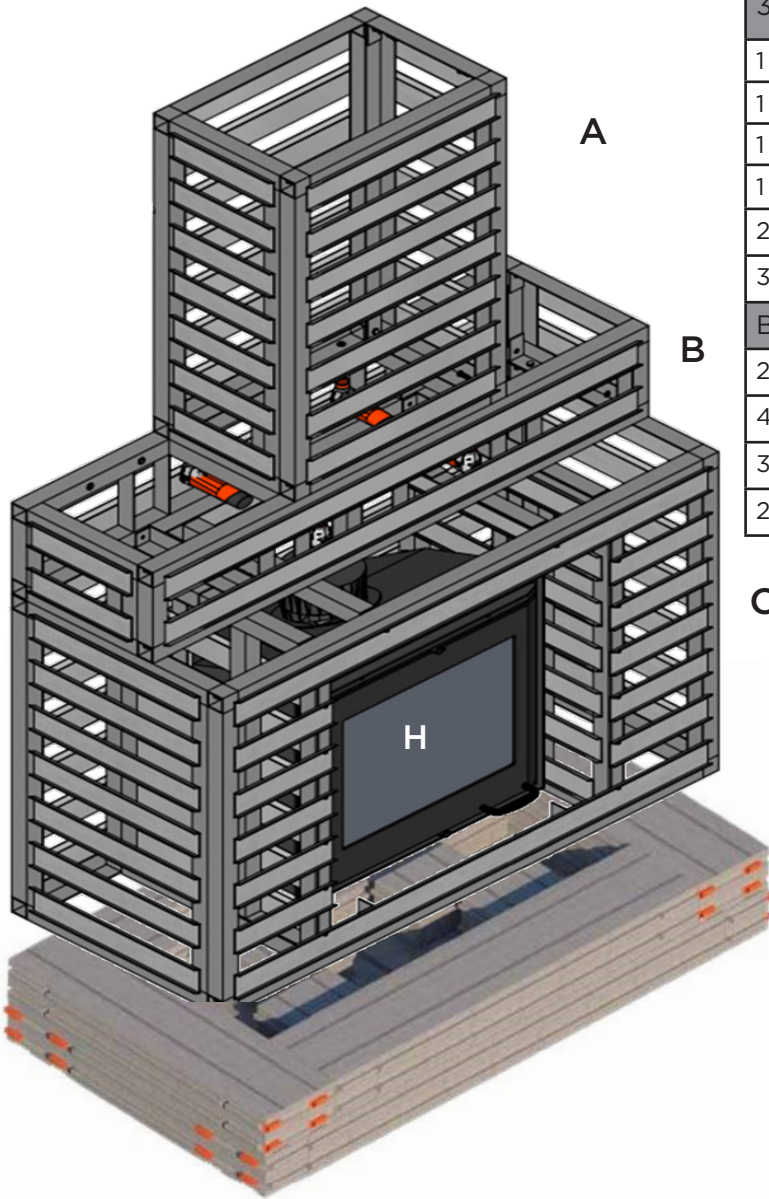
*ALSO AVAILABLE WITH OVERSIZED END CLAD



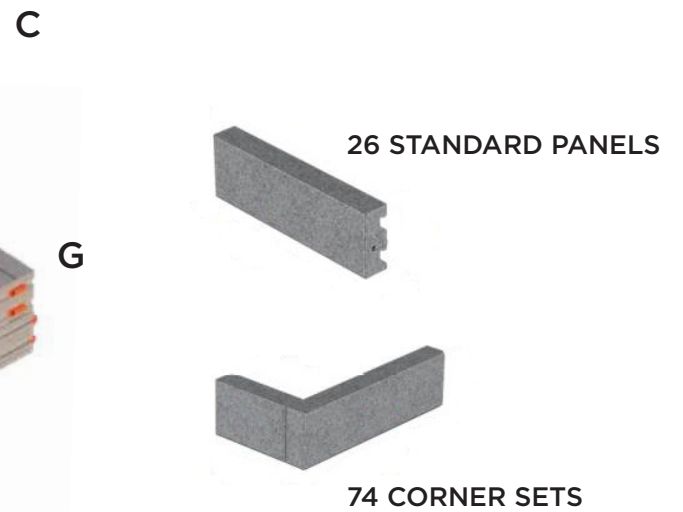
-	OVERSIZED END CLAD		83" W X 36 3/4" D X 42" H 32 LBS (16 LBS. EACH).
---	--------------------	--	---

WOODBURNING FIREPLACE

36" FIREPLACE



36" FIREPLACE ORDERING	
1	STANDARD CHIMNEY UL-FIR-CH
1	STANDARD MANTLE UL-FIR-M
1	RETURN PANEL SET UL-FIR-RTN
1	BASE CABINET UL-BC
2	END CLADS UL-ECK
36" ASTRIA TUSCAN INSERT OR SIMILAR*	
BASE	
28	LARGE BACKERS
4	CORNER BACKERS
3	STANDARD BACKERS
2	UNIVERSAL BASE UNITS

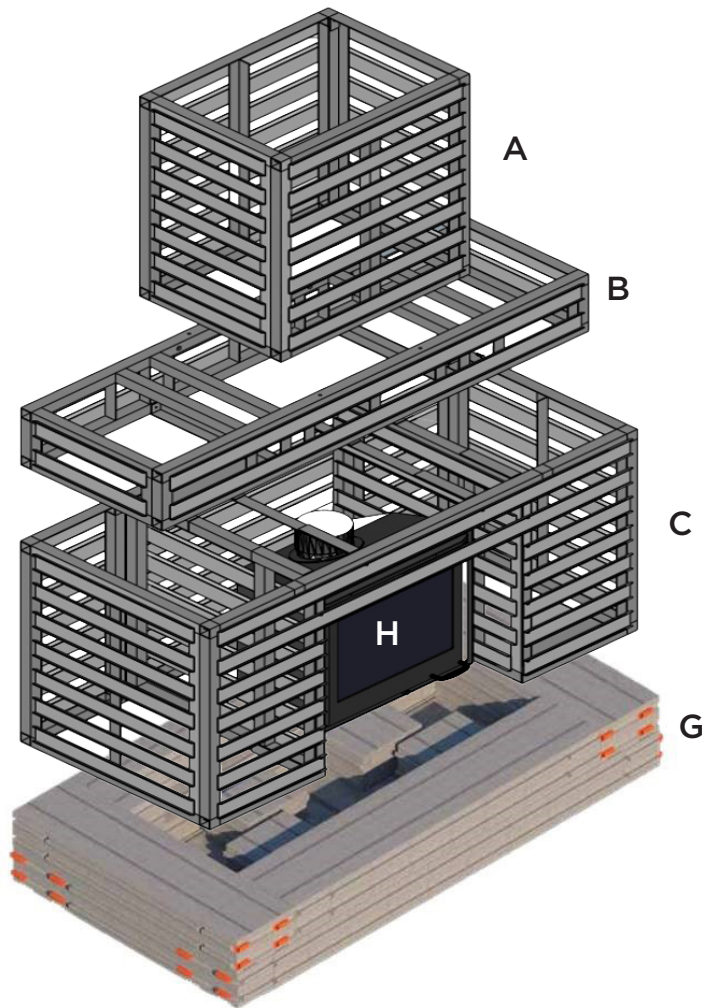


A	STANDARD CHIMNEY	UL-FIR-CH	27 1/2" W X 18 1/2" D X 42" H 43 LBS.
B	MANTLE	UL-FIR-M	64 1/2" W X 18 1/2" D X 12" H 45 LBS.
C	BASE CABINET	UL-BC	64 1/2" W X 27 1/2" D X 42" H 168 LBS. (WITH RETURNS)
G	BACKER BLOCK	--	69 1/2" W X 41" 3/4 D ASSEMBLED WITH PANELS
H	36" FIREPLACE INSERT	MP-360D	41" W X 37" H X 21" D

*INCLUDES FLUE AND TERMINATION CAP

WOODBURNING FIREPLACE

42" FIREPLACE



42" FIREPLACE ORDERING	
1	FIREPLACE MODULE UL-FIR
2	END CLAD OVERSIZED UL-ECK-OS
1	RETURN PANEL SET UL-FIR-RTN-OS
1	WIDE MANTLE UL-FIR-MW
1	WIDE CHIMNEY UL-FIR-CHW
	42" ASTRIA TUSCAN INSERT OR SIMILAR*
BASE	
41	LARGE BACKERS
12	CORNER BACKERS
5	STANDARD BACKERS
4	UNIVERSAL BASE UNITS

71 STANDARD PANELS



72 CORNER SETS

A	WIDE CHIMNEY	UL-FIR-CHW	36 3/4" W X 27 1/2" D X 42" H 65 LBS.
B	WIDE MANTLE	UL-FIR-MW	83" W X 27 1/2" D X 12" H 68 LBS.
C	FIREPLACE MODULE	UL-FIR	83" W X 36 3/4" D X 42" H 258 LBS. (TOTAL WEIGHT WITH RETURNS)
G	BACKER BLOCK	--	88" W X 51" D ASSEMBLED WITH PANELS
H	42" FIREPLACE INSERT	MP-420D	48" W X 41" H X 23 1/2" D

*INCLUDES FLUE AND TERMINATION CAP

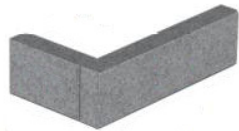
WOODBURNING FIREPLACE

42" TV MOUNT FIREPLACE

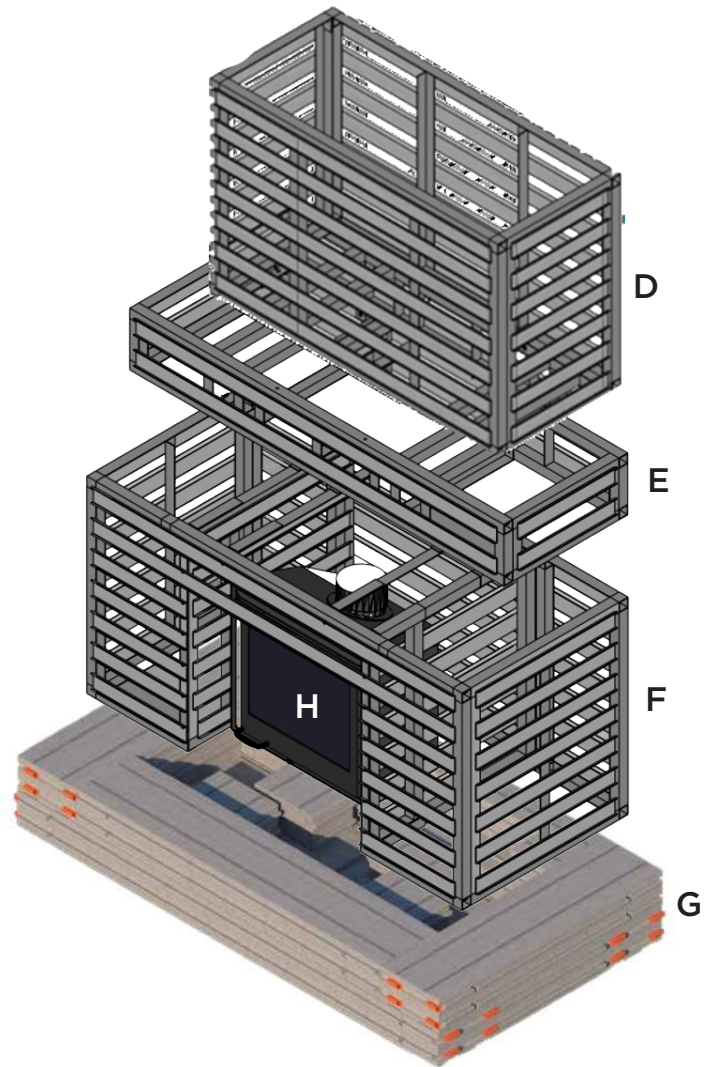
42" TV MOUNT FIREPLACE ORDERING	
1	FIREPLACE MODULE UL-FIR
2	END CLAD OVERSIZED UL-ECK-OS
1	RETURN PANEL SET UL-FIR-RTN-OS
1	WIDE MANTLE UL-FIR-MW
1	BASE CABINET UL-BC
2	END CLADS UL-ECK
42" ASTRIA TUSCAN INSERT OR SIMILAR*	
BASE	
41	LARGE BACKERS
12	CORNER BACKERS
5	STANDARD BACKERS
4	UNIVERSAL BASE UNITS



92 STANDARD PANELS



72 CORNER SETS



D	BASE CABINET	UL-BC	64 1/2" W X 27 1/2" D X 42" H 81 LBS.
E	WIDE MANTLE	UL-FIR-MW	83" W X 27 1/2" D X 12" H 68 LBS.
F	FIREPLACE MODULE	UL-FIR	83" W X 36 3/4" D X 42" H 258 LBS. (TOTAL WEIGHT WITH RETURNS)
G	BACKER BLOCK	--	88" W X 51" D ASSEMBLED 200 LBS.
H	42" FIREPLACE INSERT	MP-420D	48" W X 41" H X 23 1/2" D

*INCLUDES FLUE AND TERMINATION CAP

U-CARA[®] MULTI-FACE PANELS

ENDURACOLOR[™]

PITCHED FINISH



BAVARIAN



FOSSIL



GRANITE FUSION

SMOOTH FINISH



BAVARIAN



GRANITE FUSION



OPAL

UMBRIANO[™] FINISH



FRENCH GREY



SUMMER WHEAT

SERIES[™] FINISH



ONYX BLACK

U-CARA[®] SURETRACK[™] BACKER BLOCK



SURE TRACK
STANDARD BACKER
7 7/8 x 5 7/8 x 5 7/8"
200 x 150 x 150mm



SURE TRACK LARGE
BACKER
7 3/8 x 5 7/8 x 11 7/8"
188 x 150 x 300mm



SURE TRACK
CORNER/PILLAR BACKER
6 7/8 x 5 7/8 x 11 7/8"
175 x 150 x 300mm



SURE TRACK
CORNER INSERT
L = 2"
50mm

