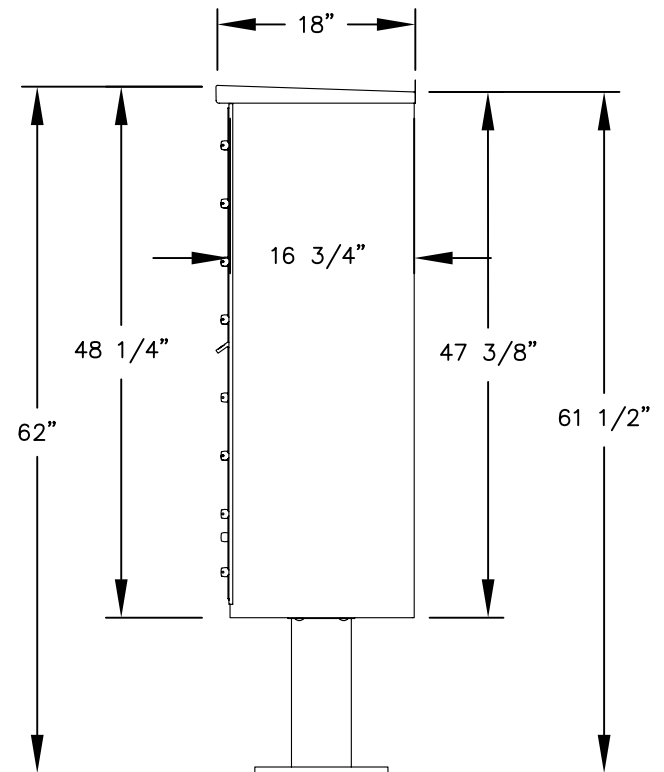
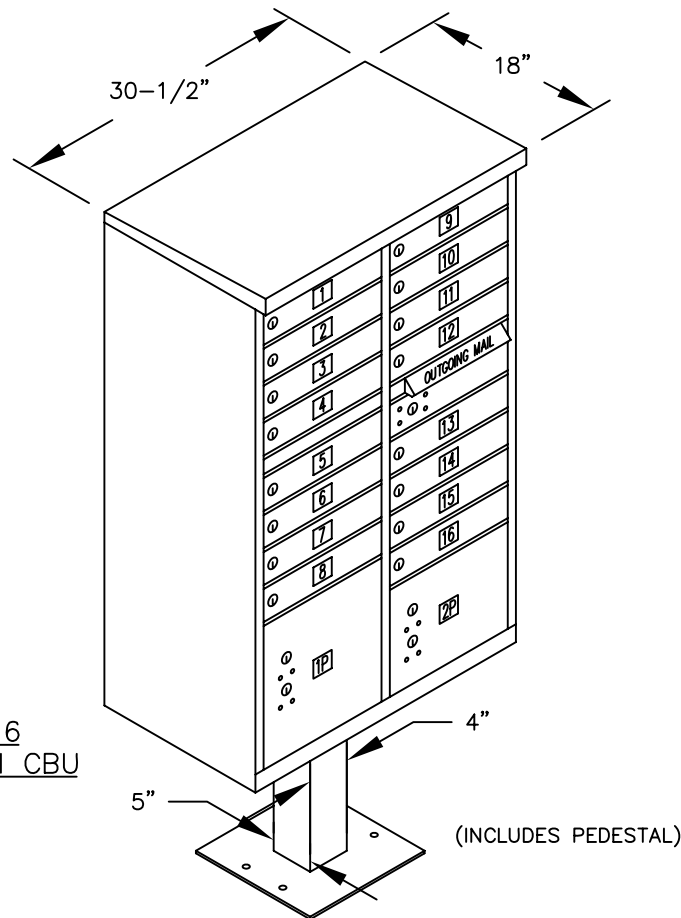


PEDESTAL BASE  
BOLT PATTERN

3316  
TYPE III CBU



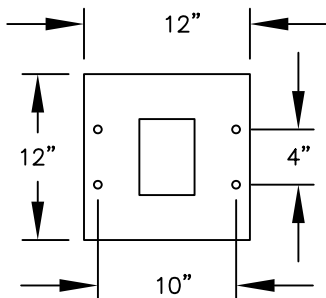
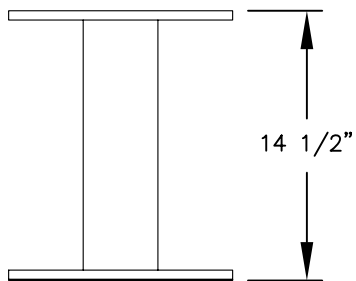
MODEL #3316  
CLUSTER BOX UNIT  
(F SERIES)

AVAILABLE COLORS:  
SANDSTONE, BRONZE, GREEN, BLACK, WHITE  
OR GRAY (FOR REPLACEMENT UNITS)

DRAWN: 3/2020

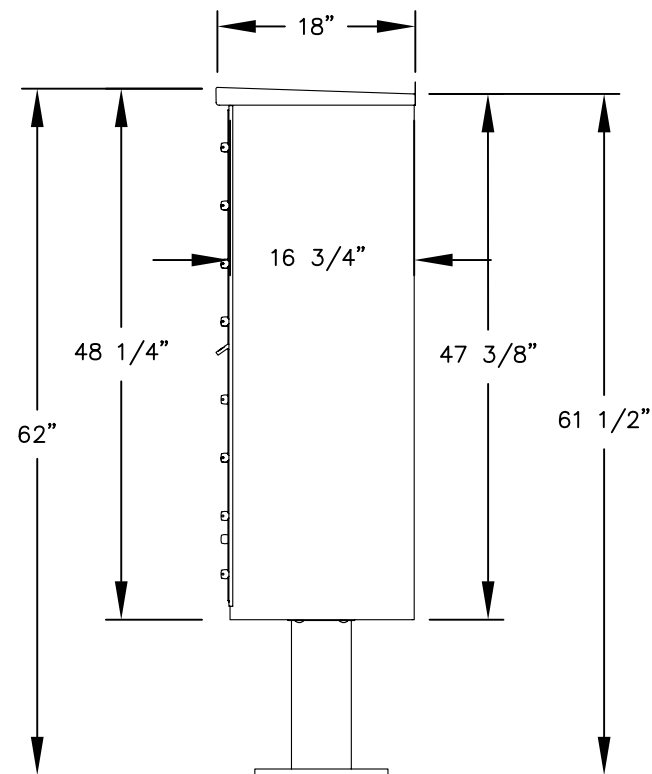
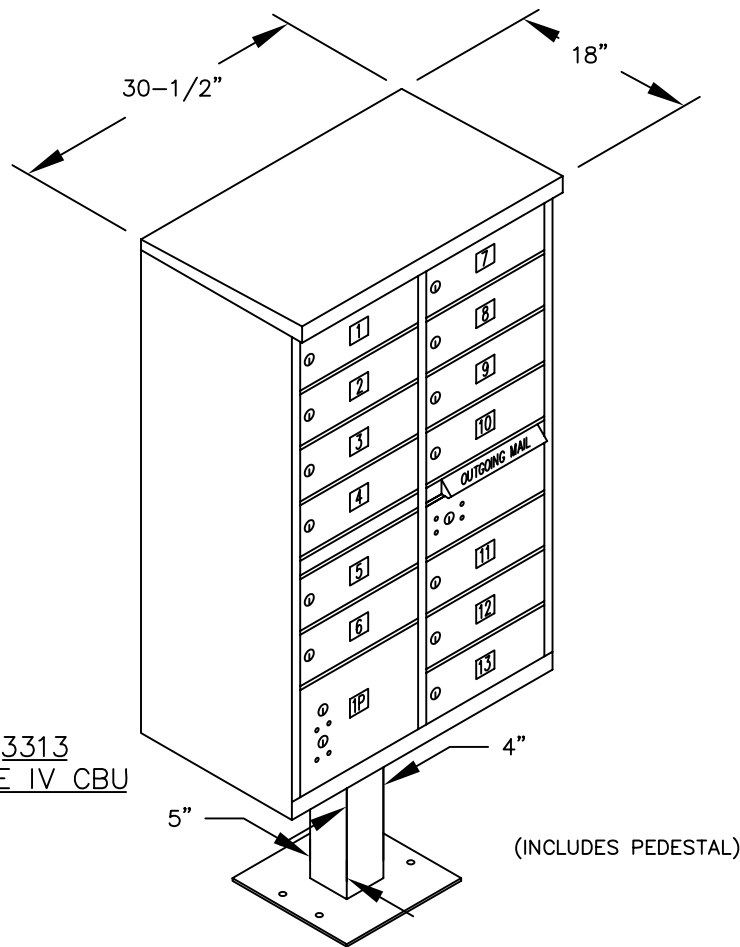
***Established in 1936, Salsbury Industries is the industry leader in manufacturing and distributing quality mailboxes.***

18300 CENTRAL AVENUE  
CARSON, CA 90746-4008  
PHONE: (800) 624-5269  
FAX: (800) 624-5299  
email: [engineering@mailboxes.com](mailto:engineering@mailboxes.com)



PEDESTAL BASE  
BOLT PATTERN

3313  
TYPE IV CBU



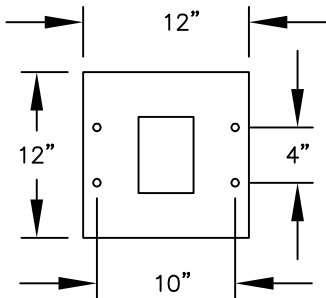
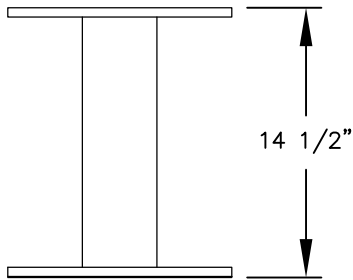
MODEL #3313  
CLUSTER BOX UNIT  
(F SERIES)

AVAILABLE COLORS:  
SANDSTONE, BRONZE, GREEN, BLACK, WHITE  
OR GRAY (FOR REPLACEMENT UNITS)

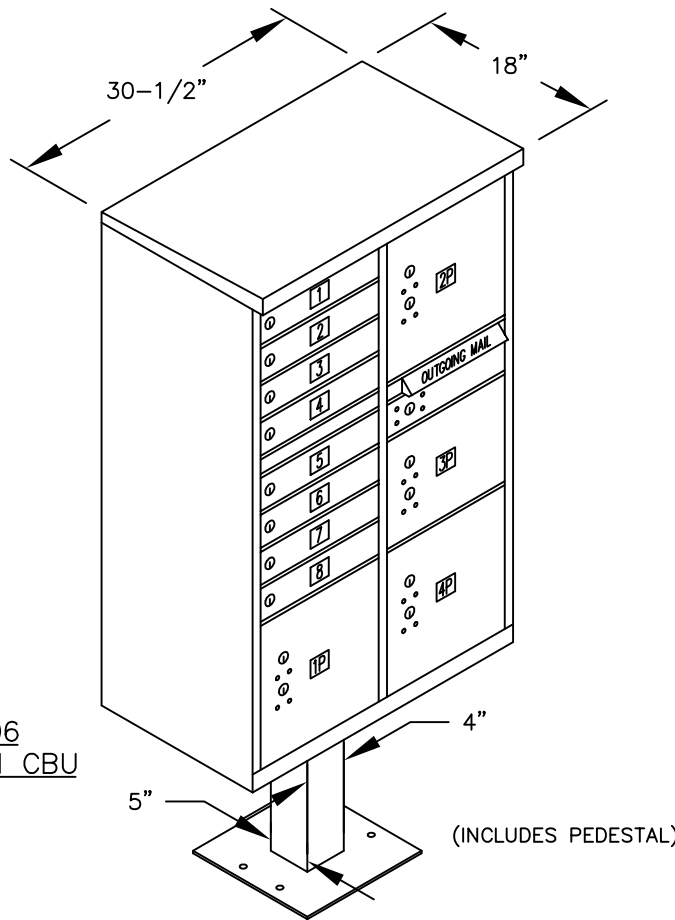
DRAWN: 3/2020

**Established in 1936, Salsbury Industries is the industry leader in manufacturing and distributing quality mailboxes.**

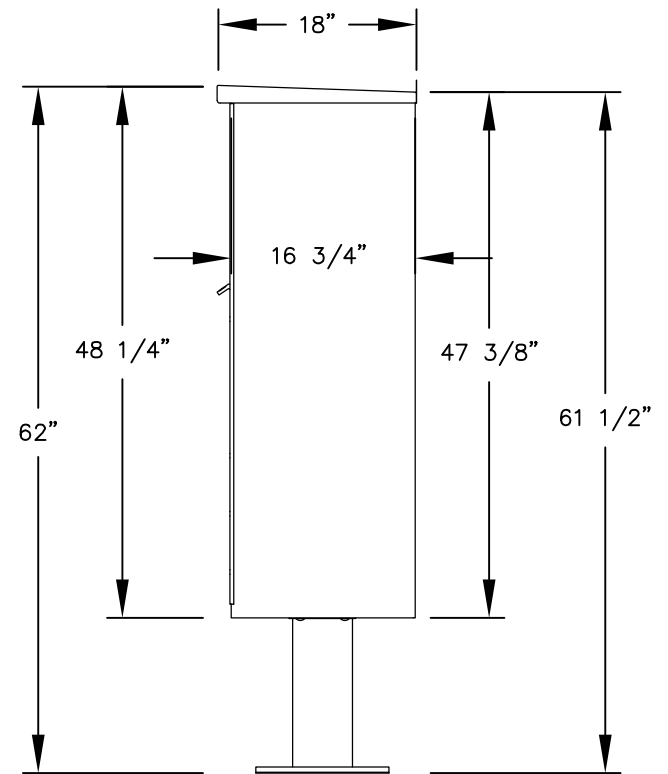
18300 CENTRAL AVENUE  
CARSON, CA 90746-4008  
PHONE: (800) 624-5269  
FAX: (800) 624-5299  
email: [engineering@mailboxes.com](mailto:engineering@mailboxes.com)



PEDESTAL BASE  
BOLT PATTERN



3306  
TYPE VI CBU



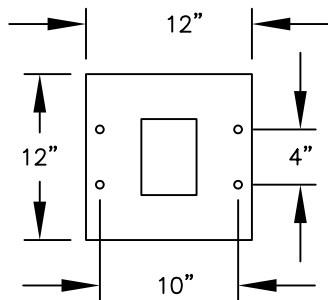
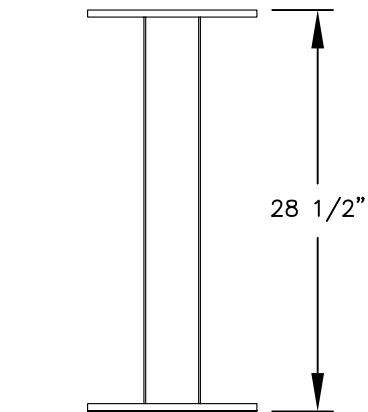
MODEL #3306  
CLUSTER BOX UNIT  
(F SERIES)

AVAILABLE COLORS:  
SANDSTONE, BRONZE, GREEN, BLACK, WHITE  
OR GRAY (FOR REPLACEMENT UNITS)

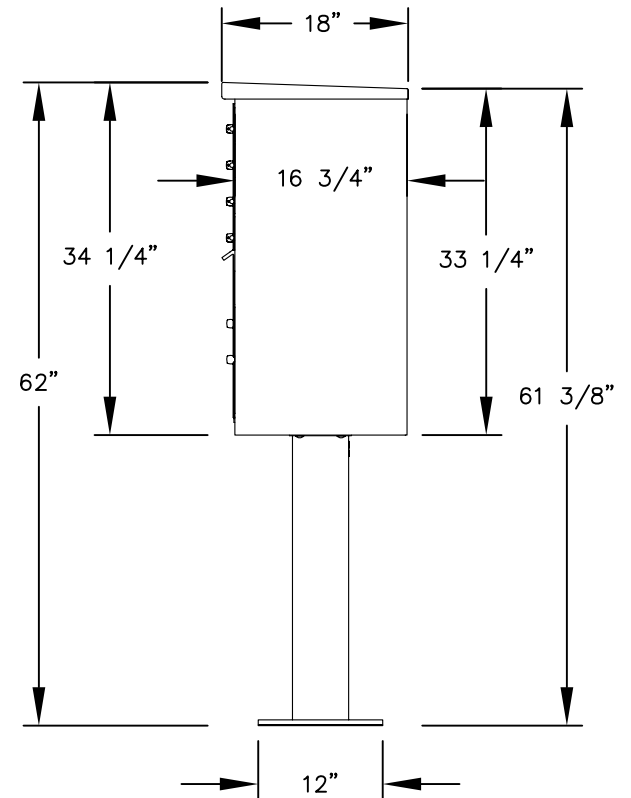
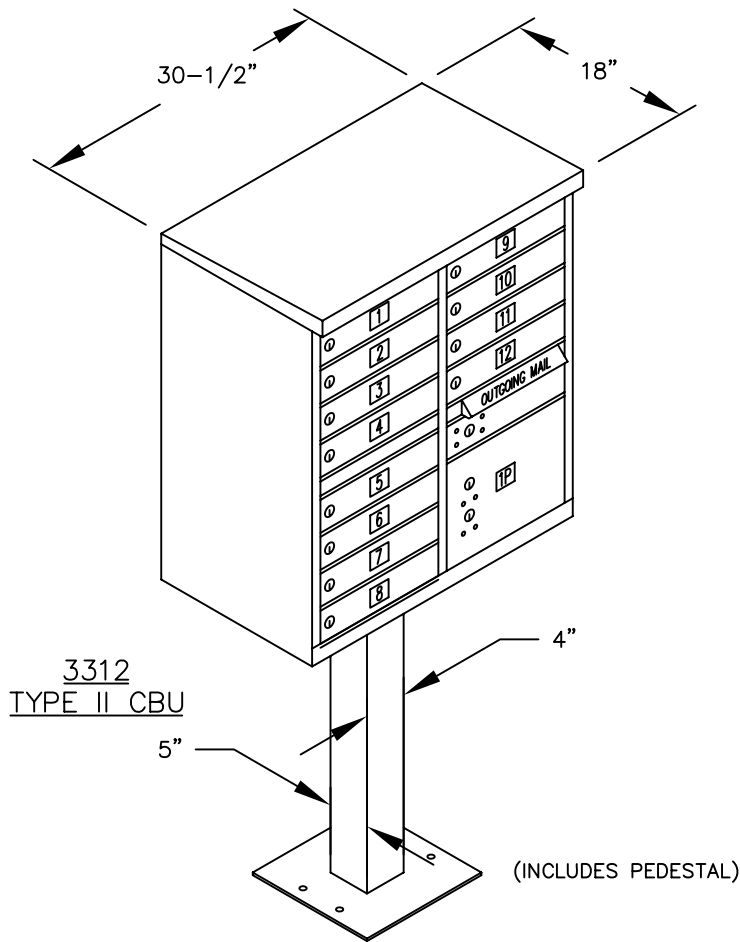
DRAWN: 3/2020

***Established in 1936, Salsbury Industries is the industry leader in manufacturing and distributing quality mailboxes.***

18300 CENTRAL AVENUE  
CARSON, CA 90746-4008  
PHONE: (800) 624-5269  
FAX: (800) 624-5299  
email: [engineering@mailboxes.com](mailto:engineering@mailboxes.com)



PEDESTAL BASE  
BOLT PATTERN



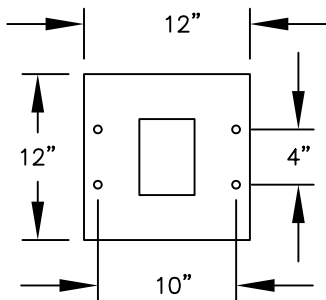
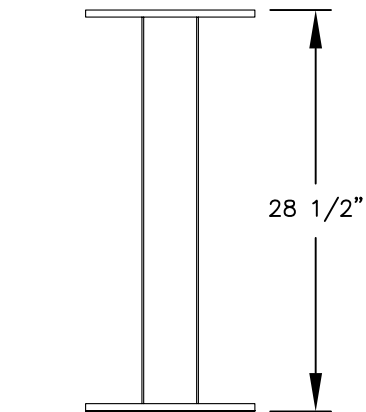
MODEL #3312  
CLUSTER BOX UNIT  
(F SERIES)

AVAILABLE COLORS:  
SANDSTONE, BRONZE, GREEN, BLACK, WHITE  
OR GRAY (FOR REPLACEMENT UNITS)

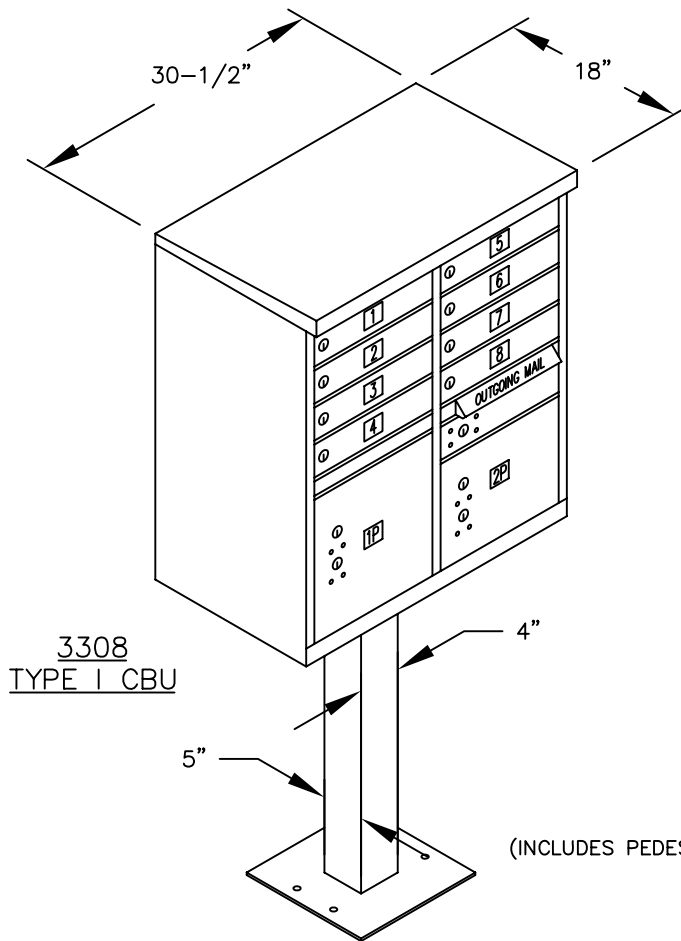
DRAWN: 3/2020

***Established in 1936, Salsbury Industries is the industry leader in manufacturing and distributing quality mailboxes.***

18300 CENTRAL AVENUE  
CARSON, CA 90746-4008  
PHONE: (800) 624-5269  
FAX: (800) 624-5299  
email: [engineering@mailboxes.com](mailto:engineering@mailboxes.com)

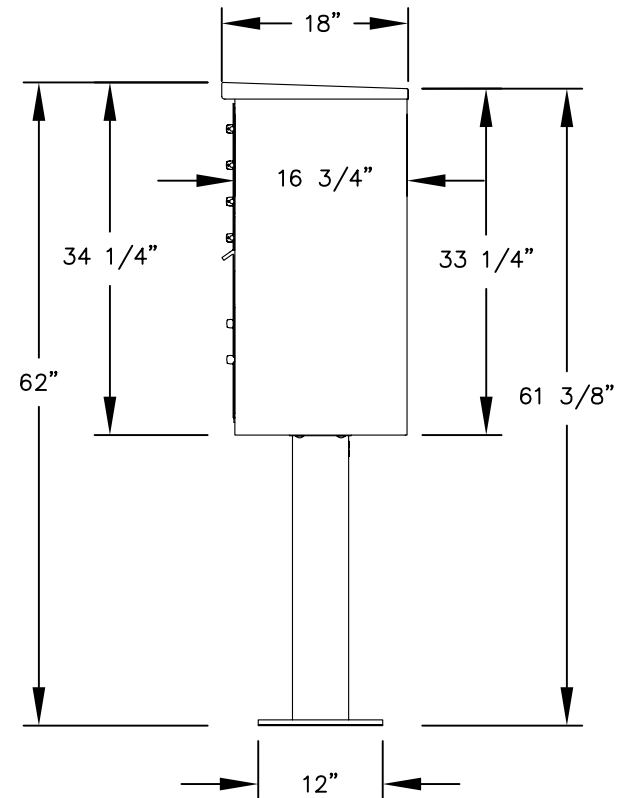


PEDESTAL BASE  
BOLT PATTERN



3308  
TYPE I CBU

(INCLUDES PEDESTAL)



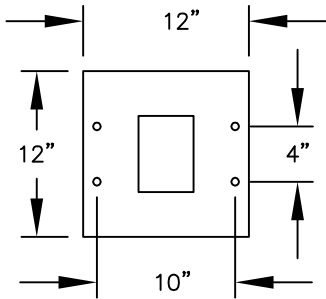
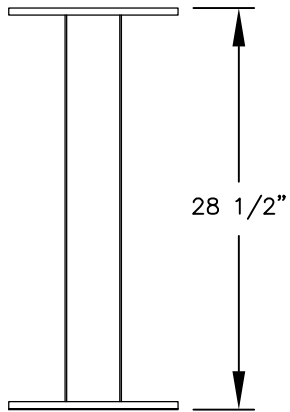
MODEL #3308  
CLUSTER BOX UNIT  
(F SERIES)

AVAILABLE COLORS:  
SANDSTONE, BRONZE, GREEN, BLACK, WHITE  
OR GRAY (FOR REPLACEMENT UNITS)

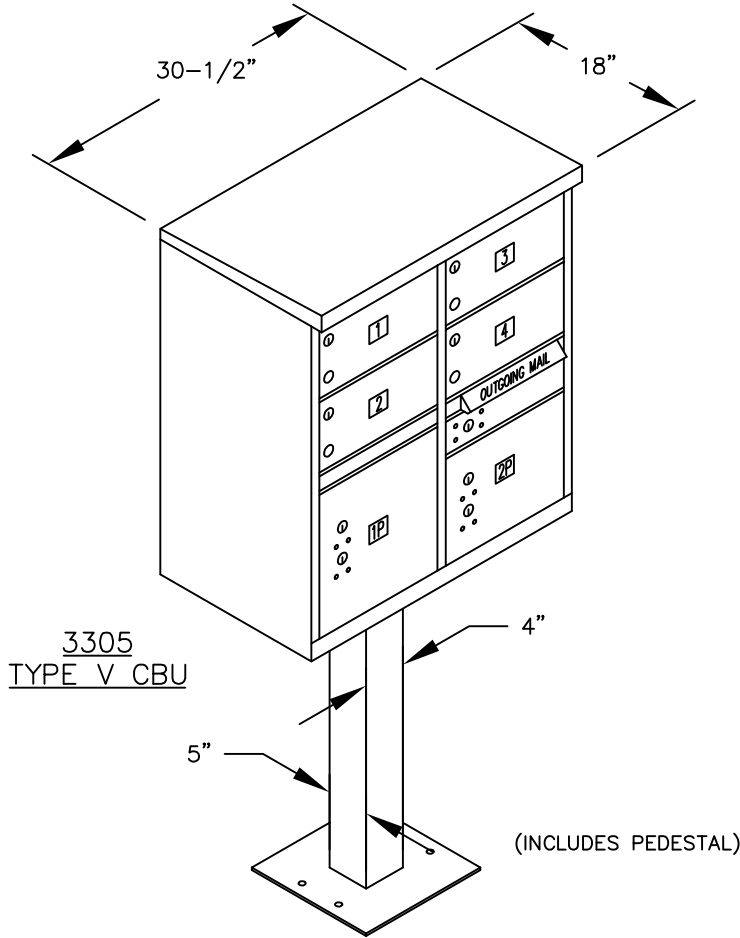
DRAWN: 3/2020

**Established in 1936, Salsbury Industries is the industry leader in manufacturing and distributing quality mailboxes.**

18300 CENTRAL AVENUE  
CARSON, CA 90746-4008  
PHONE: (800) 624-5269  
FAX: (800) 624-5299  
email: [engineering@mailboxes.com](mailto:engineering@mailboxes.com)

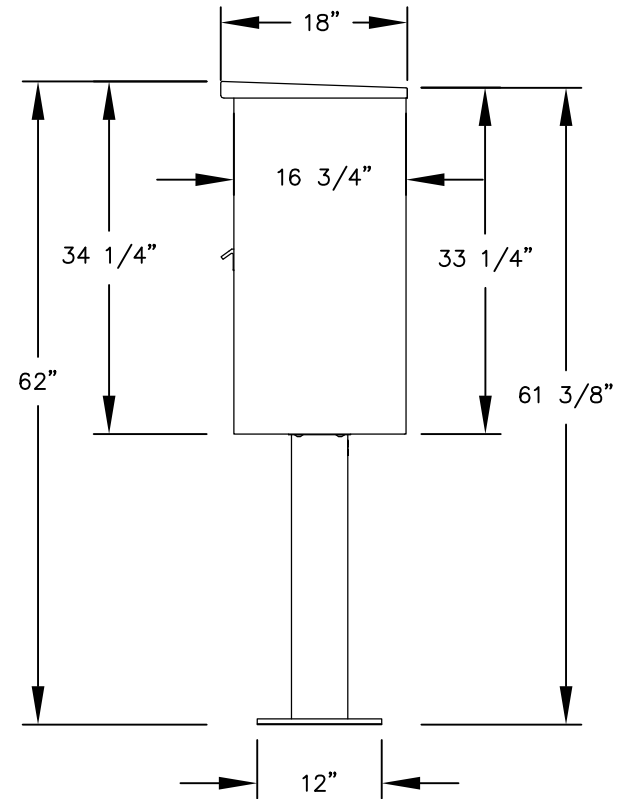


PEDESTAL BASE  
BOLT PATTERN



3305  
TYPE V CBU

(INCLUDES PEDESTAL)



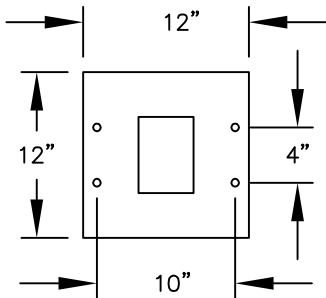
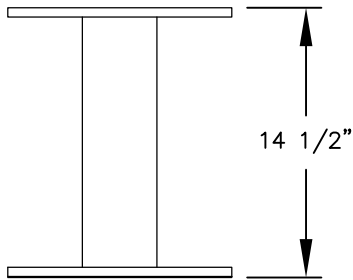
MODEL #3305  
CLUSTER BOX UNIT  
(F SERIES)

AVAILABLE COLORS:  
SANDSTONE, BRONZE, GREEN, BLACK, WHITE  
OR GRAY (FOR REPLACEMENT UNITS)

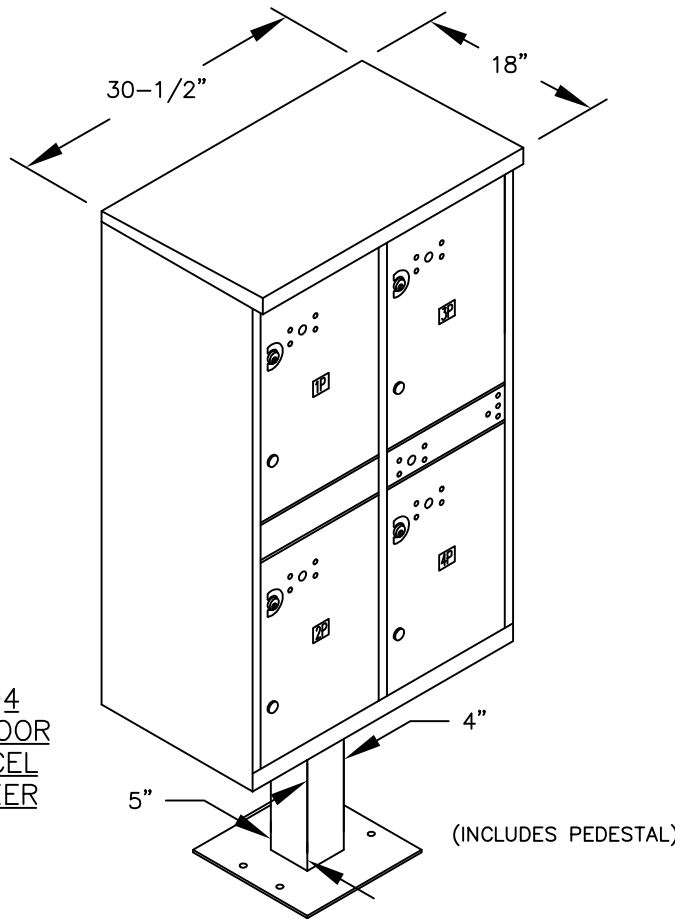
DRAWN: 3/2020

**Established in 1936, Salsbury Industries is the industry leader in manufacturing and distributing quality mailboxes.**

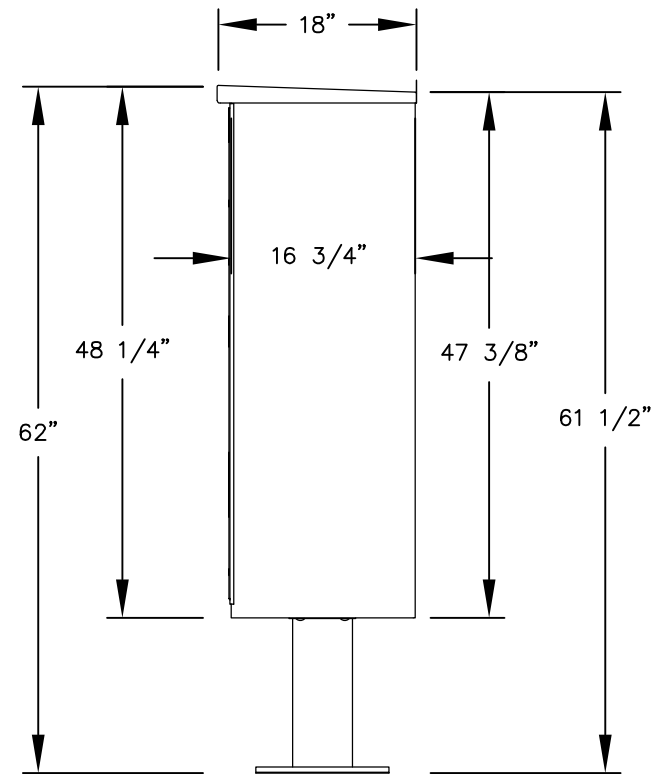
18300 CENTRAL AVENUE  
CARSON, CA 90746-4008  
PHONE: (800) 624-5269  
FAX: (800) 624-5299  
email: [engineering@mailboxes.com](mailto:engineering@mailboxes.com)



PEDESTAL BASE  
BOLT PATTERN



3304  
OUTDOOR  
PARCEL  
LOCKER



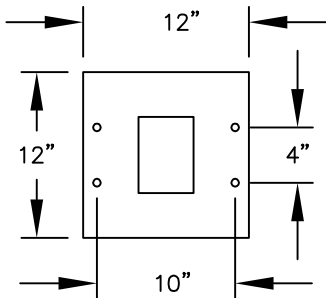
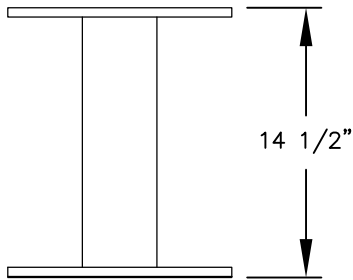
MODEL #3304  
OUTDOOR PARCEL LOCKER

AVAILABLE COLORS:  
SANDSTONE, BRONZE, GREEN, BLACK, WHITE  
OR GRAY (FOR REPLACEMENT UNITS)

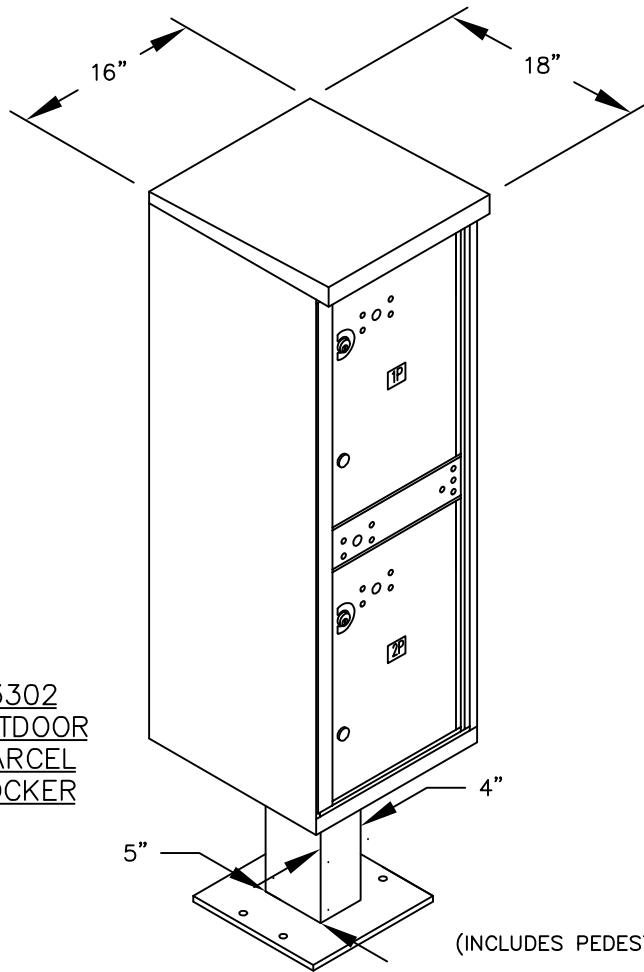
DRAWN: 3/2020

***Established in 1936, Salsbury Industries is the industry leader in manufacturing and distributing quality mailboxes.***

18300 CENTRAL AVENUE  
CARSON, CA 90746-4008  
PHONE: (800) 624-5269  
FAX: (800) 624-5299  
email: [engineering@mailboxes.com](mailto:engineering@mailboxes.com)

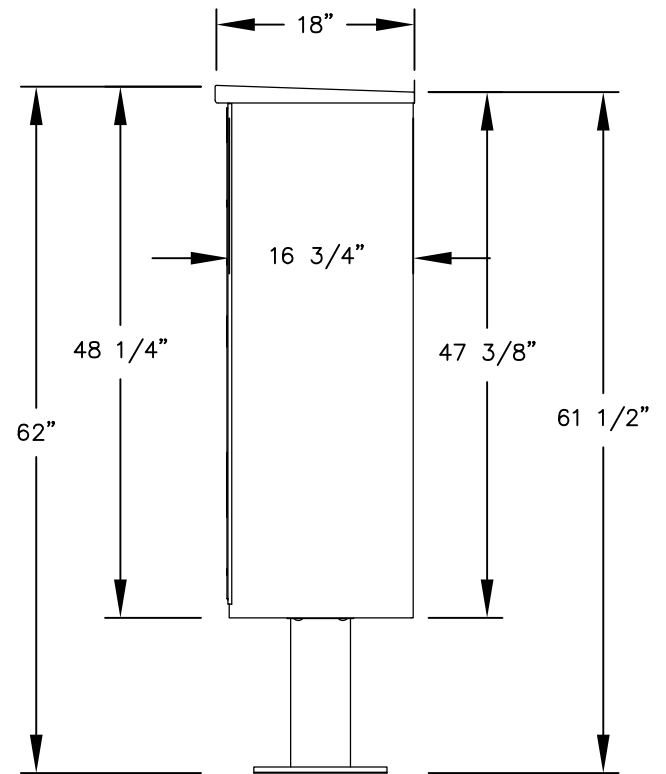


PEDESTAL BASE  
BOLT PATTERN



3302  
OUTDOOR  
PARCEL  
LOCKER

(INCLUDES PEDESTAL)



MODEL #3302  
OUTDOOR PARCEL LOCKER

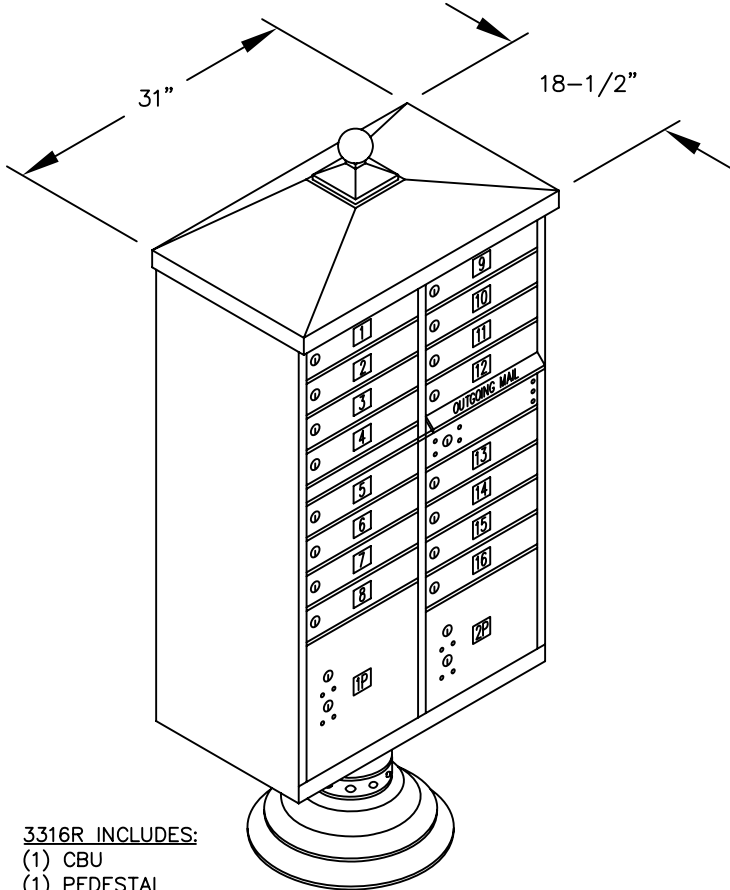
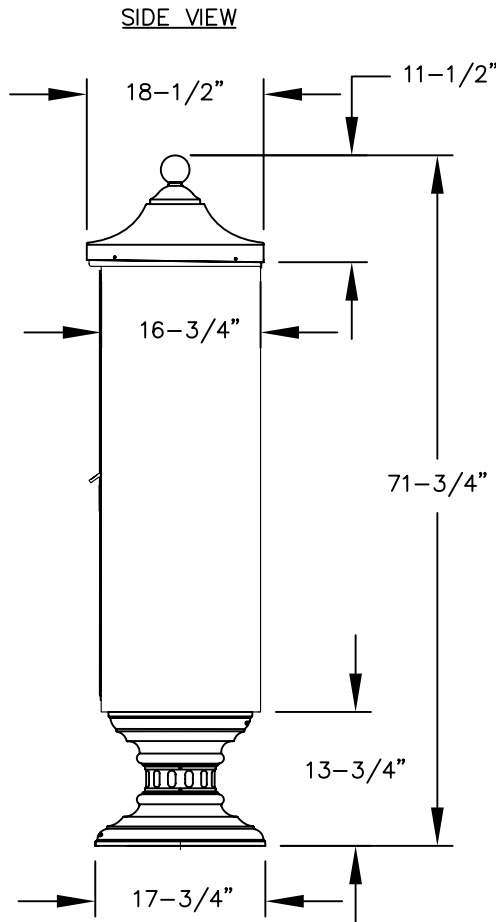
AVAILABLE COLORS:  
SANDSTONE, BRONZE, GREEN, BLACK, WHITE  
OR GRAY (FOR REPLACEMENT UNITS)

DRAWN: 3/2020

***Established in 1936, Salsbury Industries is the industry leader in manufacturing and distributing quality mailboxes.***

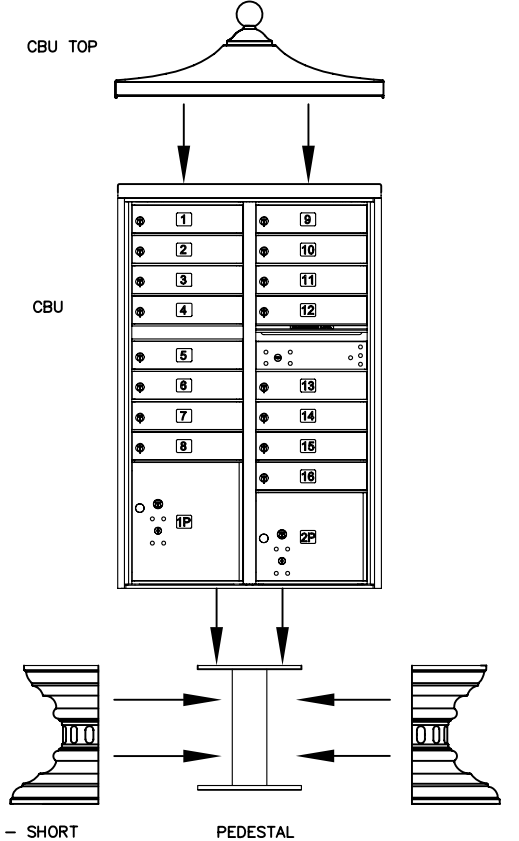
18300 CENTRAL AVENUE  
CARSON, CA 90746-4008  
PHONE: (800) 624-5269  
FAX: (800) 624-5299  
email: [engineering@mailboxes.com](mailto:engineering@mailboxes.com)





- 3316R INCLUDES:**
- (1) CBU
  - (1) PEDESTAL
  - (1) CBU TOP
  - (1) PEDESTAL COVER – SHORT

TYPICAL ASSEMBLY:  
(See Installation Instructions for more detail)



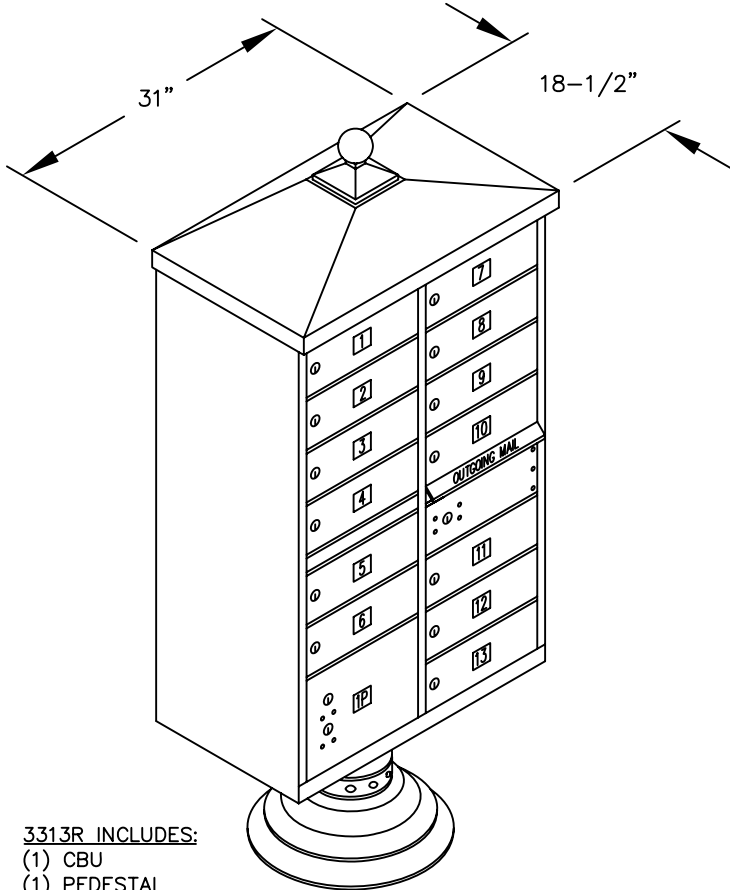
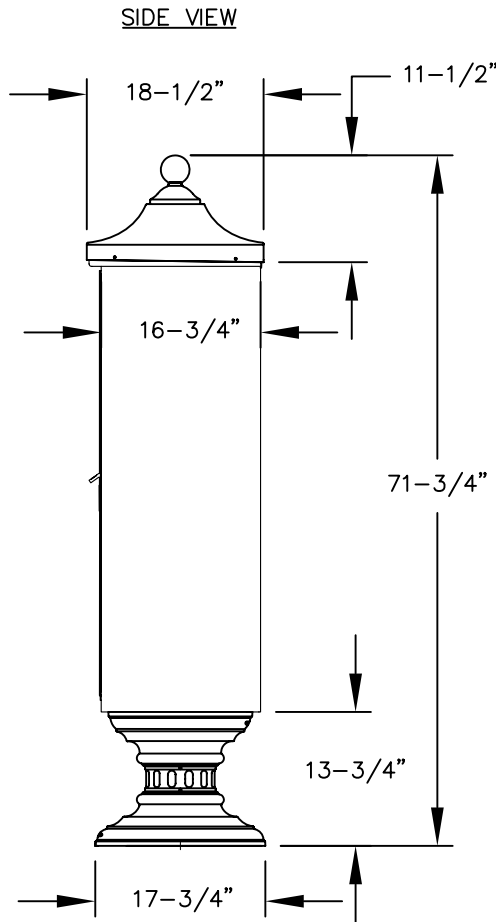
**MODEL #3316R**  
REGENCY DECORATIVE  
CLUSTER BOX UNIT

AVAILABLE COLORS:  
SANDSTONE, BRONZE, GREEN, BLACK OR WHITE

DRAWN: 3/2020

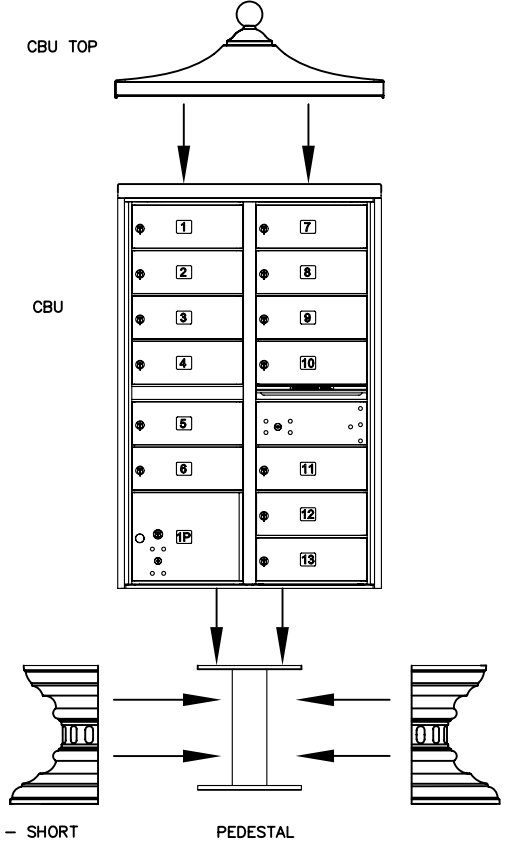
***Established in 1936, Salsbury Industries is the industry leader in manufacturing and distributing quality mailboxes.***

18300 CENTRAL AVENUE  
CARSON, CA 90746-4008  
PHONE: (800) 624-5269  
FAX: (800) 624-5299  
email: [engineering@mailboxes.com](mailto:engineering@mailboxes.com)



- 3313R INCLUDES:**
- (1) CBU
  - (1) PEDESTAL
  - (1) CBU TOP
  - (1) PEDESTAL COVER – SHORT

TYPICAL ASSEMBLY:  
(See Installation Instructions for more detail)



**MODEL #3313R**  
REGENCY DECORATIVE  
CLUSTER BOX UNIT

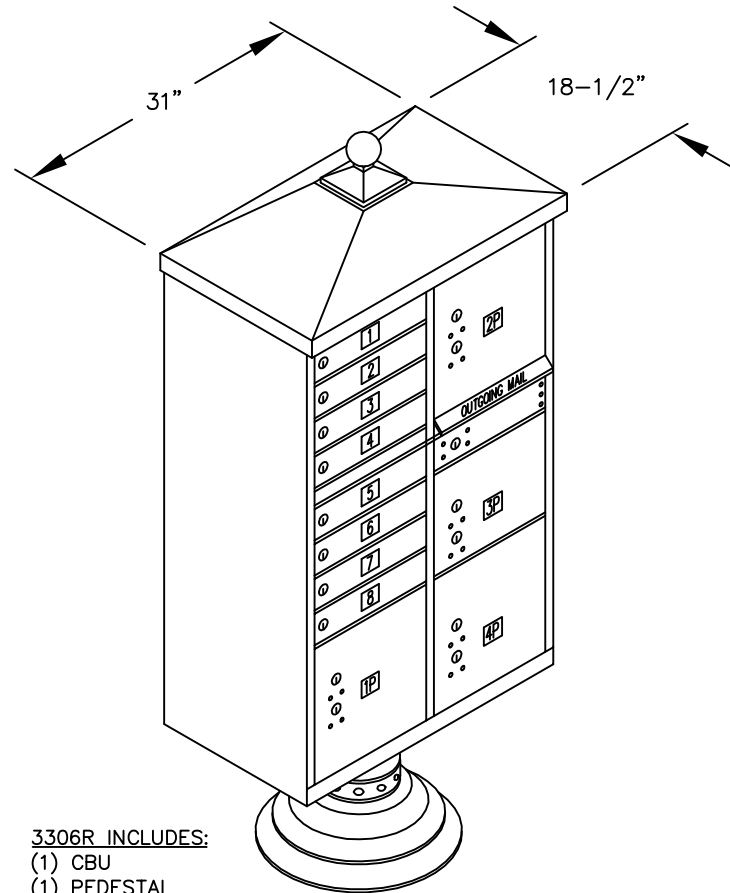
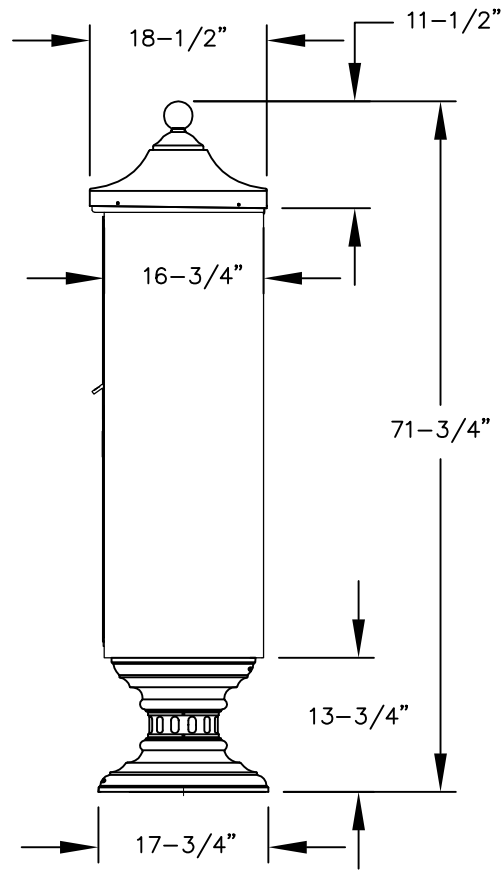
AVAILABLE COLORS:  
SANDSTONE, BRONZE, GREEN, BLACK OR WHITE

DRAWN: 3/2020

***Established in 1936, Salsbury Industries is the industry leader in manufacturing and distributing quality mailboxes.***

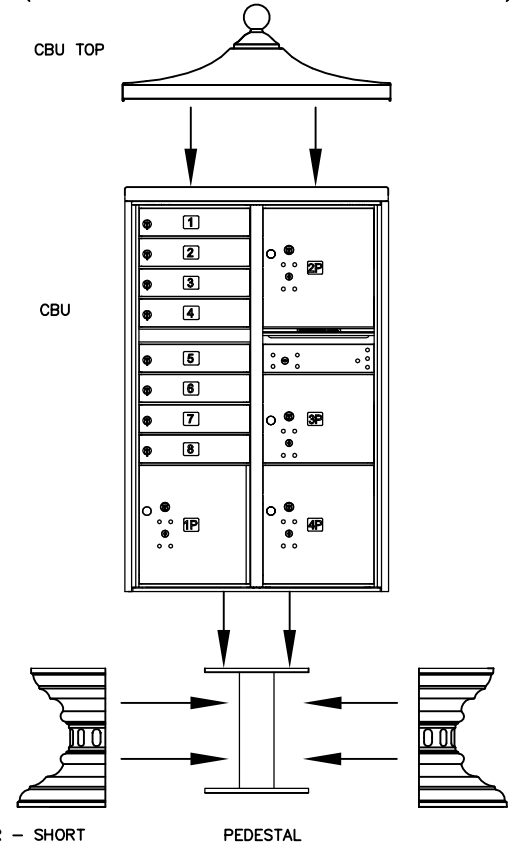
18300 CENTRAL AVENUE  
CARSON, CA 90746-4008  
PHONE: (800) 624-5269  
FAX: (800) 624-5299  
email: [engineering@mailboxes.com](mailto:engineering@mailboxes.com)

SIDE VIEW



- 3306R INCLUDES:**  
 (1) CBU  
 (1) PEDESTAL  
 (1) CBU TOP  
 (1) PEDESTAL COVER - SHORT

TYPICAL ASSEMBLY:  
 (See Installation Instructions for more detail)



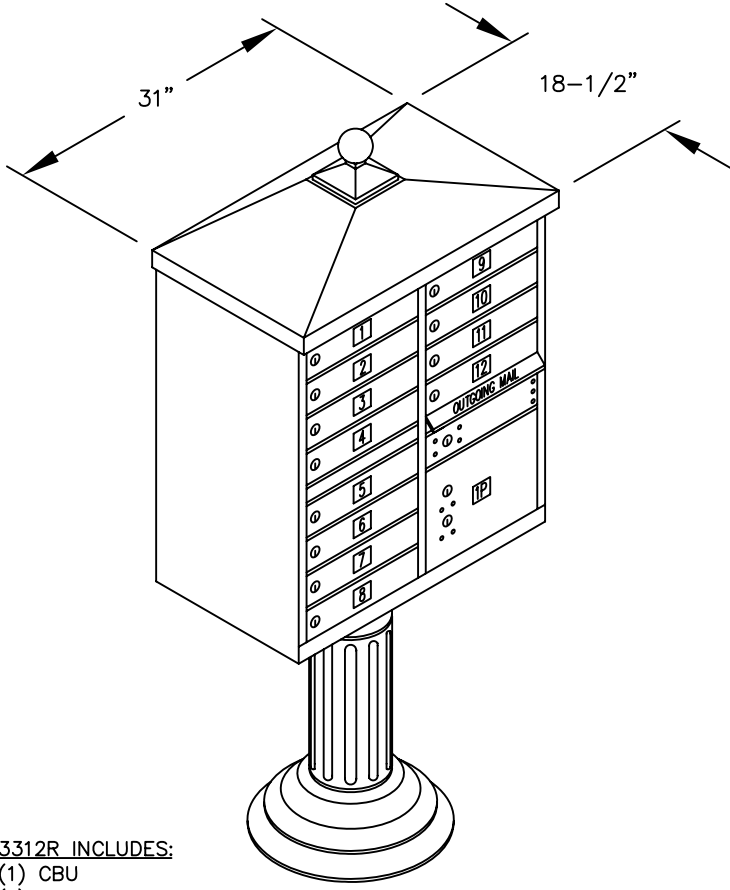
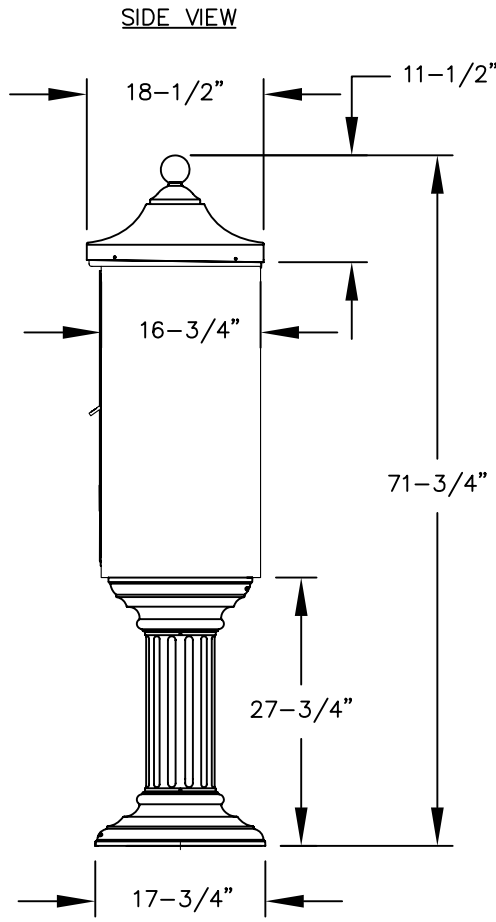
**MODEL #3306R**  
 REGENCY DECORATIVE  
 CLUSTER BOX UNIT

AVAILABLE COLORS:  
 SANDSTONE, BRONZE, GREEN, BLACK OR WHITE

DRAWN: 3/2020

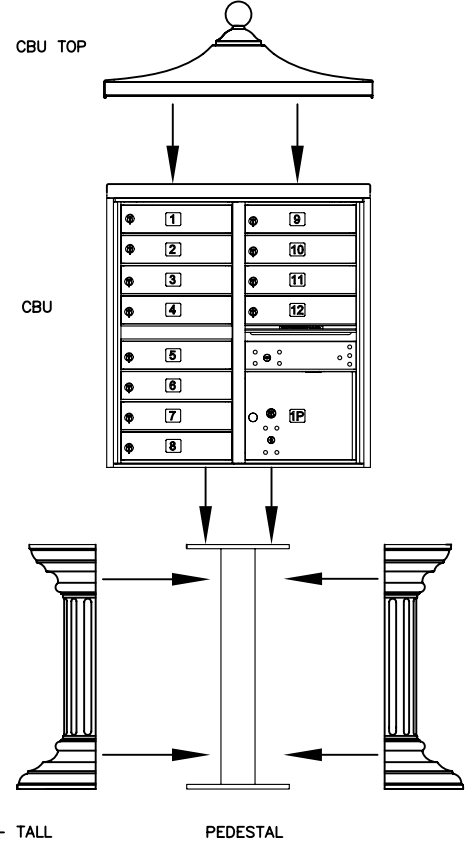
***Established in 1936, Salsbury Industries is the industry leader in manufacturing and distributing quality mailboxes.***

18300 CENTRAL AVENUE  
 CARSON, CA 90746-4008  
 PHONE: (800) 624-5269  
 FAX: (800) 624-5299  
 email: [engineering@mailboxes.com](mailto:engineering@mailboxes.com)



- 3312R INCLUDES:**
- (1) CBU
  - (1) PEDESTAL
  - (1) CBU TOP
  - (1) PEDESTAL COVER - TALL

**TYPICAL ASSEMBLY:**  
(See Installation Instructions for more detail)



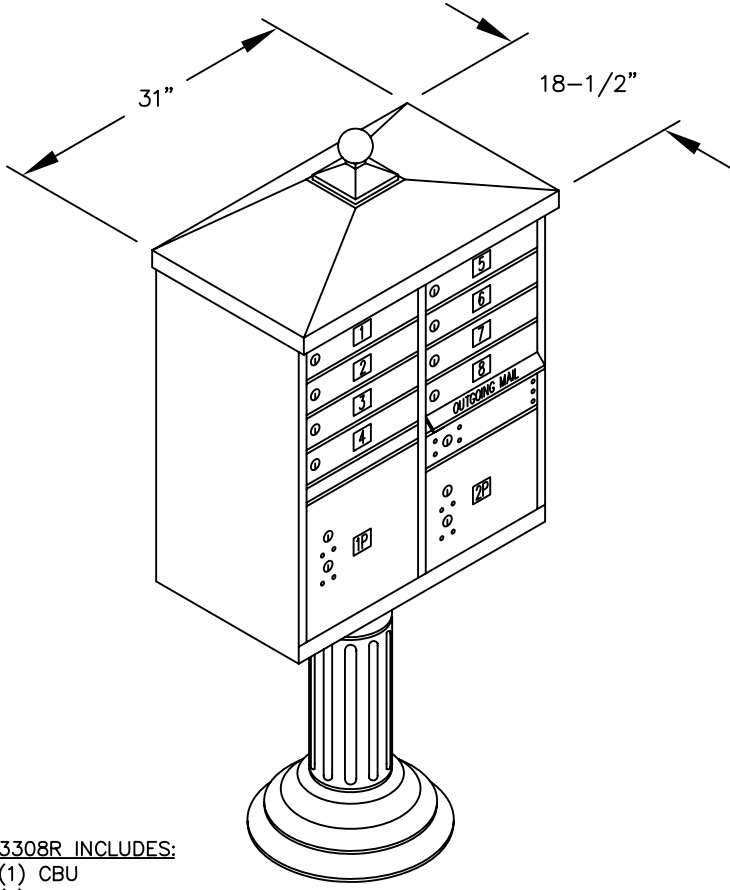
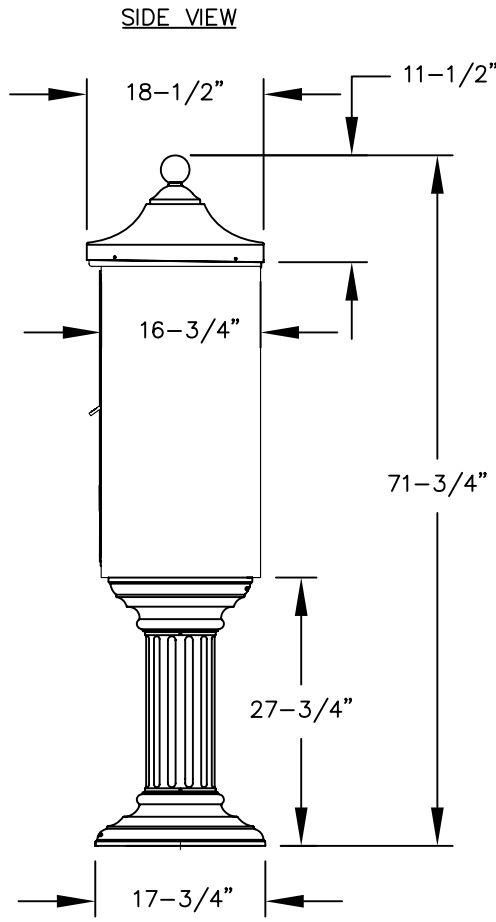
**MODEL #3312R**  
REGENCY DECORATIVE  
CLUSTER BOX UNIT

AVAILABLE COLORS:  
SANDSTONE, BRONZE, GREEN, BLACK OR WHITE

DRAWN: 3/2020

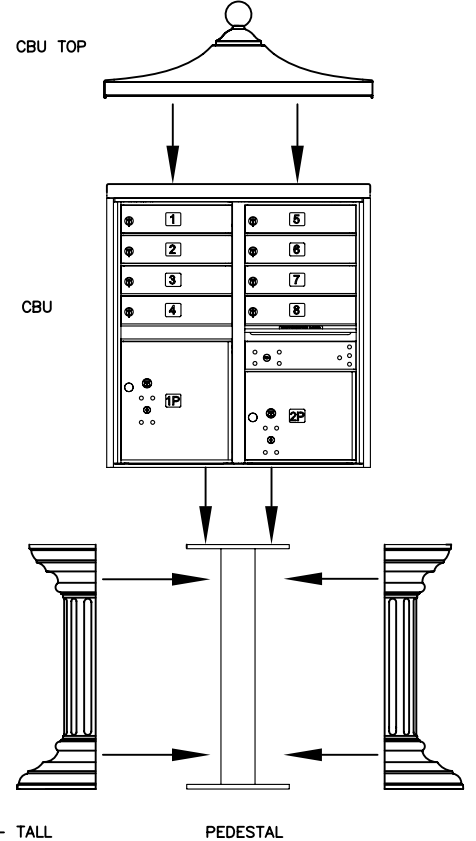
***Established in 1936, Salsbury Industries is the industry leader in manufacturing and distributing quality mailboxes.***

18300 CENTRAL AVENUE  
CARSON, CA 90746-4008  
PHONE: (800) 624-5269  
FAX: (800) 624-5299  
email: [engineering@mailboxes.com](mailto:engineering@mailboxes.com)



- 3308R INCLUDES:
- (1) CBU
  - (1) PEDESTAL
  - (1) CBU TOP
  - (1) PEDESTAL COVER - TALL

TYPICAL ASSEMBLY:  
(See Installation Instructions for more detail)



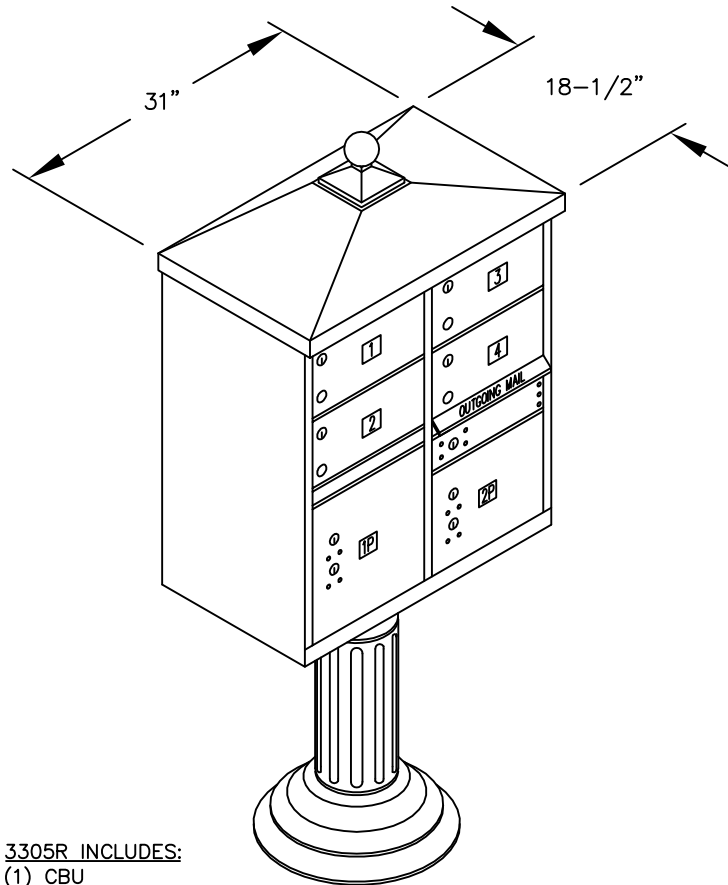
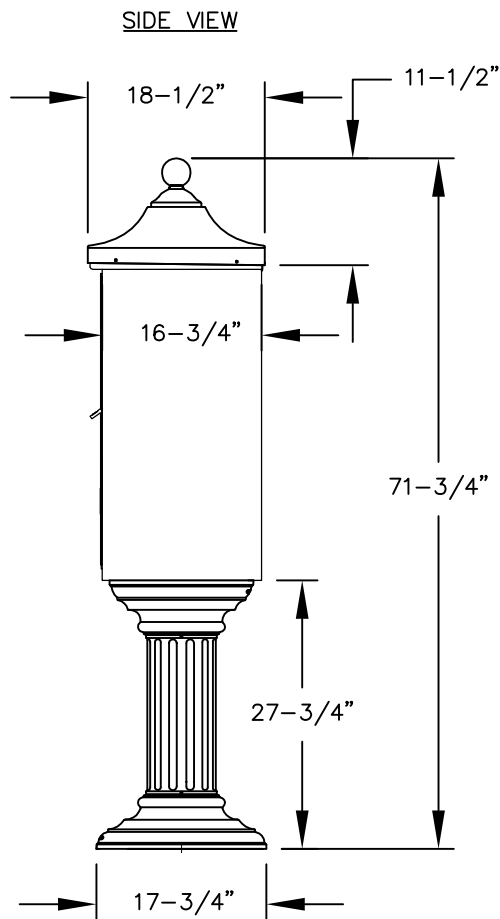
MODEL #3308R  
REGENCY DECORATIVE  
CLUSTER BOX UNIT

AVAILABLE COLORS:  
SANDSTONE, BRONZE, GREEN, BLACK OR WHITE

DRAWN: 3/2020

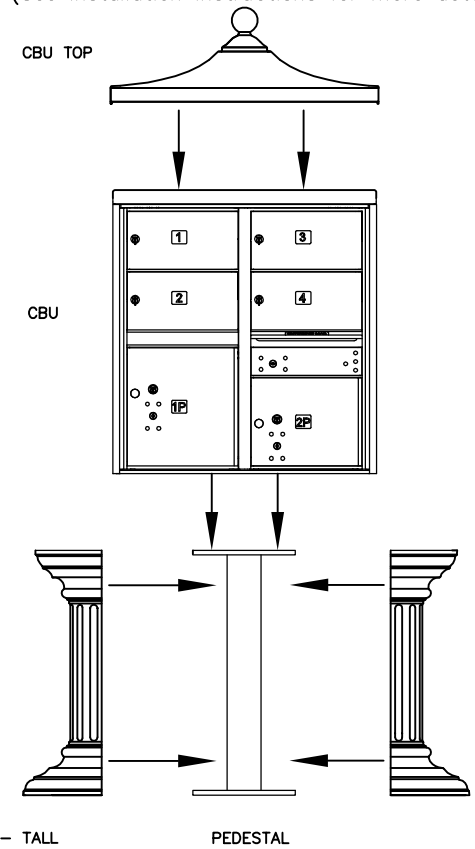
***Established in 1936, Salsbury Industries is the industry leader in manufacturing and distributing quality mailboxes.***

18300 CENTRAL AVENUE  
CARSON, CA 90746-4008  
PHONE: (800) 624-5269  
FAX: (800) 624-5299  
email: [engineering@mailboxes.com](mailto:engineering@mailboxes.com)



- 3305R INCLUDES:**
- (1) CBU
  - (1) PEDESTAL
  - (1) CBU TOP
  - (1) PEDESTAL COVER - TALL

**TYPICAL ASSEMBLY:**  
(See Installation Instructions for more detail)



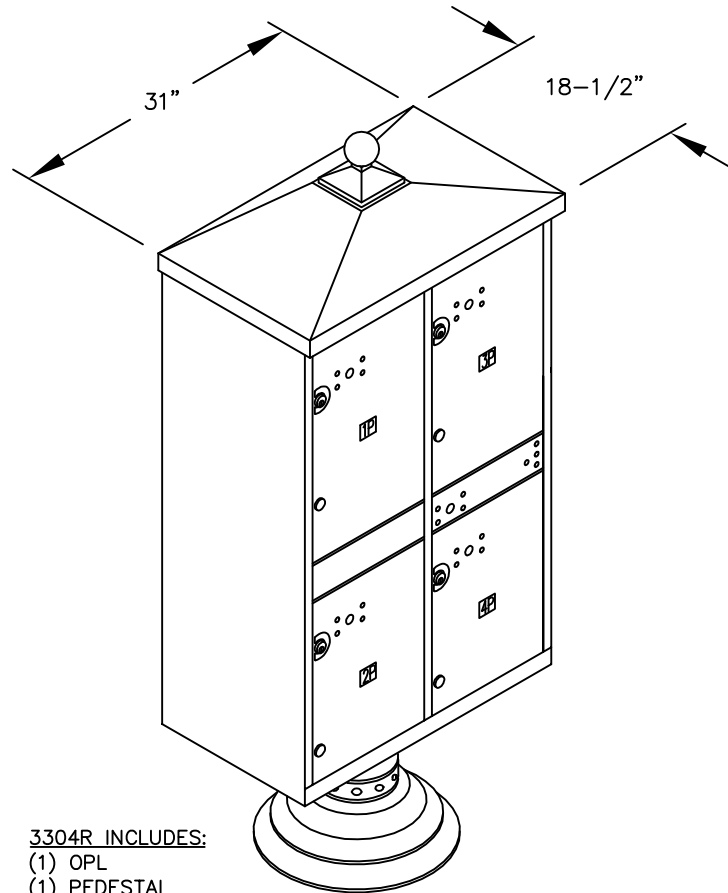
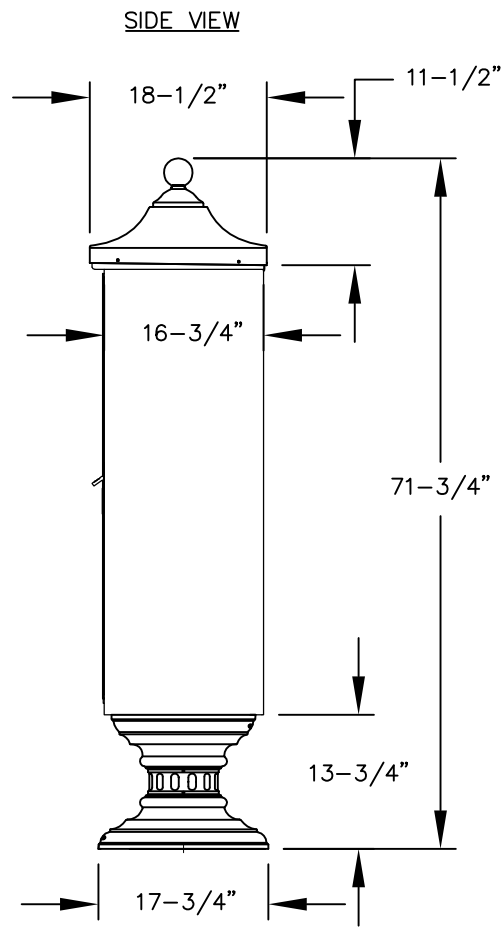
**MODEL #3305R**  
REGENCY DECORATIVE  
CLUSTER BOX UNIT

AVAILABLE COLORS:  
SANDSTONE, BRONZE, GREEN, BLACK OR WHITE

DRAWN: 3/2020

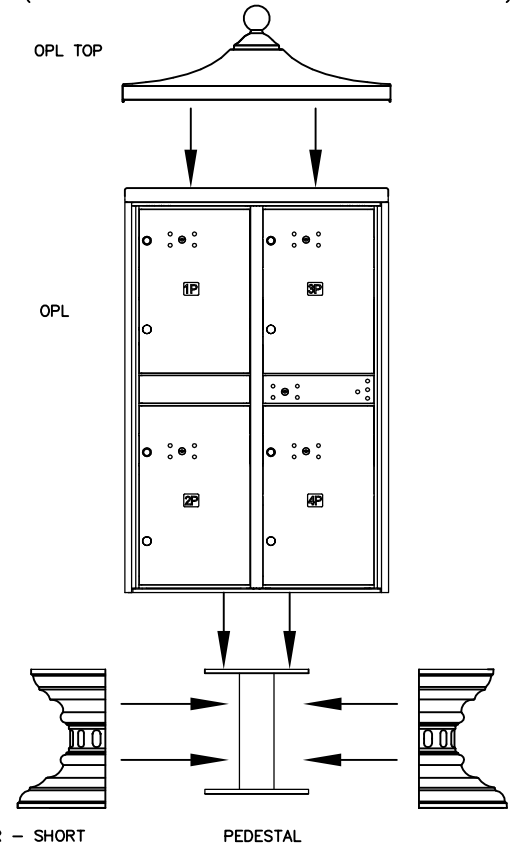
***Established in 1936, Salsbury Industries is the industry leader in manufacturing and distributing quality mailboxes.***

18300 CENTRAL AVENUE  
CARSON, CA 90746-4008  
PHONE: (800) 624-5269  
FAX: (800) 624-5299  
email: [engineering@mailboxes.com](mailto:engineering@mailboxes.com)



- 3304R INCLUDES:**
- (1) OPL
  - (1) PEDESTAL
  - (1) OPL TOP
  - (1) PEDESTAL COVER - SHORT

**TYPICAL ASSEMBLY:**  
(See Installation Instructions for more detail)



**MODEL #3304R**  
REGENCY DECORATIVE  
OUTDOOR PARCEL LOCKER

AVAILABLE COLORS:  
SANDSTONE, BRONZE, GREEN, BLACK OR WHITE

DRAWN: 3/2020

***Established in 1936, Salsbury Industries is the industry leader in manufacturing and distributing quality mailboxes.***

18300 CENTRAL AVENUE  
CARSON, CA 90746-4008  
PHONE: (800) 624-5269  
FAX: (800) 624-5299  
email: [engineering@mailboxes.com](mailto:engineering@mailboxes.com)